

DESCRIPTION

AMC MODEL SW-2181-3AT-B3072 IS AN ABSORPTIVE SP3T SWITCH MODULE WITH INTEGRAL TTL DRIVER, DESIGNED TO OPERATE WITH A SINGLE POSITIVE SUPPLY VOLTAGE.

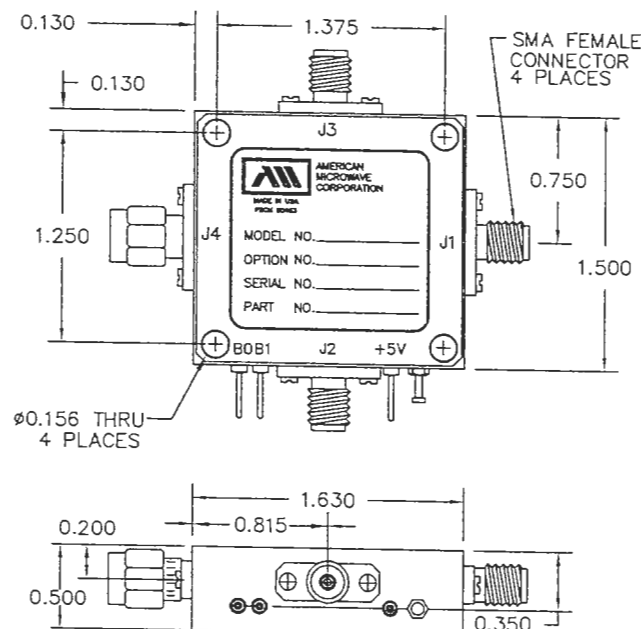
SPECIFICATIONS

- FREQUENCY RANGE 1-2 GHz MINIMUM
- INSERTION LOSS 2.0 dB MAXIMUM
- ISOLATION 80 dB MINIMUM
- VSWR (ON/OFF) 1.5:1 MAXIMUM
- RF POWER HANDLING 1 WATT CW MAXIMUM
- SWITCHING TIME
 - RISE (10% RF TO 90% RF) 500 ns MAXIMUM
 - FALL (90% RF TO 10% RF) 500 ns MAXIMUM
 - ON (50% TTL TO 90% RF) 1 μ s MAXIMUM
 - OFF (50% TTL TO 10% RF) 1 μ s MAXIMUM
- CONTROLS TTL COMPATIBLE, UNITY LOAD
3 INDIVIDUAL CONTROLS
LOGIC "0"= INSERTION LOSS
LOGIC "1"= ISOLATION
(SEE TRUTH TABLE)
- SUPPLY POWER +5VDC \pm 5% @ 200 mA MAXIMUM
- CONNECTORS
 - RF INPUT SMA MALE
 - RF OUTPUT SMA FEMALE
 - POWER SOLDER PIN
 - CONTROL SOLDER PIN
- SIZE 1.63" x 1.50" x 0.50"

AVAILABLE OPTIONS

- A01 50 Ω CONTROL IMPEDANCE
- A02 100 Ω CONTROL IMPEDANCE
- A03 INVERSE CONTROL LOGIC (LOGIC "0" ISOLATION)
- A04 VIDEO FILTER (0.5 dB EXCESS LOSS)
- A05 2 BIT BINARY DECODER
- A06 EXTENDED FREQUENCY RANGE (CONSULT FACTORY)
- A13 J4 SMA MALE, J1-J3 SMA FEMALE
- A14 J4 SMA FEMALE, J1-J3 SMA MALE
- A16 +9 VDC TO +18 VDC SUPPLY

REVISIONS				
ZONE	REV.	DESCRIPTION	DATE	APPROVED
	A	ORIGINAL RELEASE JOB# 305103-1E	6/22/99	
	B	SEE ECN# 04-041	9/31/04	



B1	B0	RF PATH
0	1	J4-J1
1	0	J4-J2
1	1	J4-J3

ENVIRONMENTAL RATINGS

- TEMPERATURE: -55°C TO +85°C (OPERATING)
-65°C TO +125°C (STORAGE)
- HUMIDITY: MIL-STD-202F, METHOD 103B COND. B
- SHOCK: MIL-STD-202F, METHOD 213B COND. B
- VIBRATION: MIL-STD-202F, METHOD 204D COND. B
- ALTITUDE: MIL-STD-202F, METHOD 105C COND. B
- TEMPERATURE CYCLE: MIL-STD-202F, METHOD 107D COND. A

AMERICAN MICROWAVE CORPORATION

7311-G GROVE ROAD
FREDERICK, MARYLAND 21704 USA
TEL: 301-662-4700 FAX: 301-662-4938
WEBSITE: www.americanmicrowavecorp.com
E-MAIL: sales@americanmicrowavecorp.com
ISO 9001:2000 CERTIFIED



APPROVALS		DATE	TITLE		
DRAWN	WSP	6/22/99	PRODUCT FEATURE SW-2181-3AT OPTION: B3072		
REDRAWN	JDJ	8/12/04	1 TO 2 GHz, NON-REFLECTIVE SP3T SWITCH MODULE		
ISSUED	LA	9/31/04	SIZE	FSCM NO.	DWG NO.
			A	60483	100-3185
			SCALE	N:S	SHEET 1 OF 3

NOTE: SPECIFICATIONS WILL VARY OVER OPERATING TEMPERATURE
NOTE: THE ABOVE SPECIFICATIONS ARE SUBJECT TO CHANGE OR REVISION

ALL DIMENSIONS ARE IN INCHES
TOLERANCES:
X.XX \pm 0.020
X.XXX \pm 0.010